

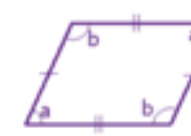

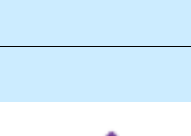

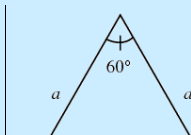

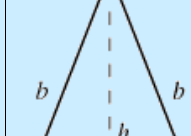
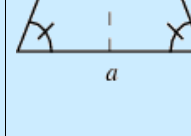
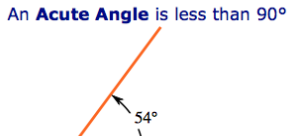
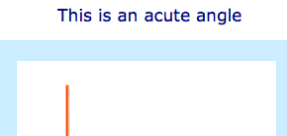
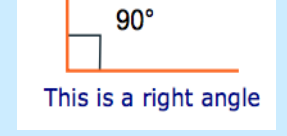
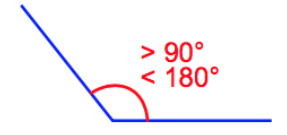
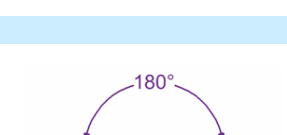
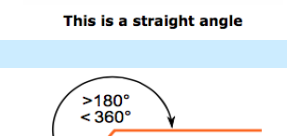

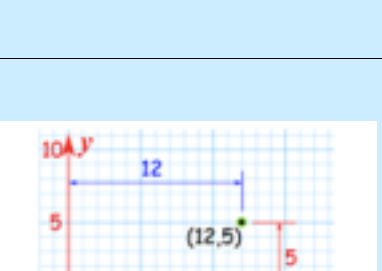


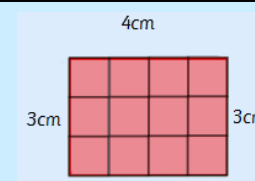
Fraction/ Decimal Equivalence					
$\frac{1}{8}$	0.125	$\frac{1}{10}$	0.1	$\frac{1}{100}$	0.01
$\frac{2}{8} = \frac{1}{4}$	0.25	$\frac{2}{10} = \frac{1}{5}$	0.2	$\frac{25}{100} = \frac{1}{4}$	0.25
$\frac{3}{8}$	0.375	$\frac{3}{10}$	0.3	$\frac{50}{100} = \frac{1}{2}$	0.5
$\frac{4}{8} = \frac{2}{4} = \frac{1}{2}$	0.5	$\frac{4}{10} = \frac{2}{5}$	0.4	$\frac{75}{100} = \frac{3}{4}$	0.75
$\frac{5}{8}$	0.625	$\frac{5}{10}$	0.5	$\frac{100}{100}$	1
$\frac{6}{8} = \frac{3}{4}$	0.75	$\frac{6}{10} = \frac{3}{5}$	0.6		
$\frac{7}{8}$	0.875	$\frac{7}{10}$	0.7		
$\frac{8}{8} = \frac{4}{4}$	1	$\frac{8}{10} = \frac{4}{5}$	0.8		
		$\frac{9}{10}$	0.9		
		$\frac{10}{10} = \frac{5}{5}$	1		

Quadrilaterals		
Rectangle	<ul style="list-style-type: none"> Four sides Opposite sides parallel Opposite sides equal length Four right angles 	 
Parallelogram	<ul style="list-style-type: none"> Four sides Opposite sides parallel 	
Rhombus	<ul style="list-style-type: none"> Four equal sides Opposite sides parallel Opposite angles equal 	
Kite	<ul style="list-style-type: none"> Four sides Pairs of adjacent sides equal Angles where adjacent sides meet are equal Diagonals intersect at right angles 	
Trapezium	<ul style="list-style-type: none"> Four sides One pair of opposite sides are parallel 	

Triangles		
Equilateral	All three sides and angles equal.	
Isosceles	Two sides and angles equal.	
Scalene	All three sides and angles of different sizes.	
Right-angled	A triangle with a right angle. Can be isosceles or scalene.	

Angles		
Acute Angle	1° to 89°	<p>An Acute Angle is less than 90°</p>  <p>This is an acute angle</p>
Right Angle	90°	 <p>This is a right angle</p>
Obtuse Angle	91° to 179°	 <p>Obtuse Angle</p>
Straight Angle	180°	 <p>This is a straight angle</p>
Reflex Angle	181° to 359°	 <p>This is a reflex angle</p>
Full Turn	360°	

Coordinates	
Coordinate Grid	
Finding the coordinates of a point.	 <p>The point (12,5) is 12 units along, and 5 units up.</p>

Geometry	
Area of a shape	 <p>The two dimensional space that a shape covers, measured in squared units. Area = 12 square cm</p>

Multiplication Tables					
x	7	6	12	11	
1	7	6	12	11	
2	14	12	24	22	
3	21	18	36	33	
4	28	24	48	44	
5	35	30	60	55	
6	42	36	72	66	
7	49	42	84	77	
8	56	48	96	88	
9	63	54	108	99	
10	70	60	120	110	
11	77	66	132	121	
12	84	72	144	132	

Roman Numerals			
I	1	IX	9
II	2	X	10
III	3	XI	11
IV	4	XII	12
V	5	L	50
VI	6	C	100
VII	7	D	500
VIII	8	M	1000

Place Value Columns									
	ten thousands	thousands	hundreds	tens	ones	.	tenths	hundredths	thousandth
numeral	10,000	1000	100	10	1	.	0.1	0.01	0.001